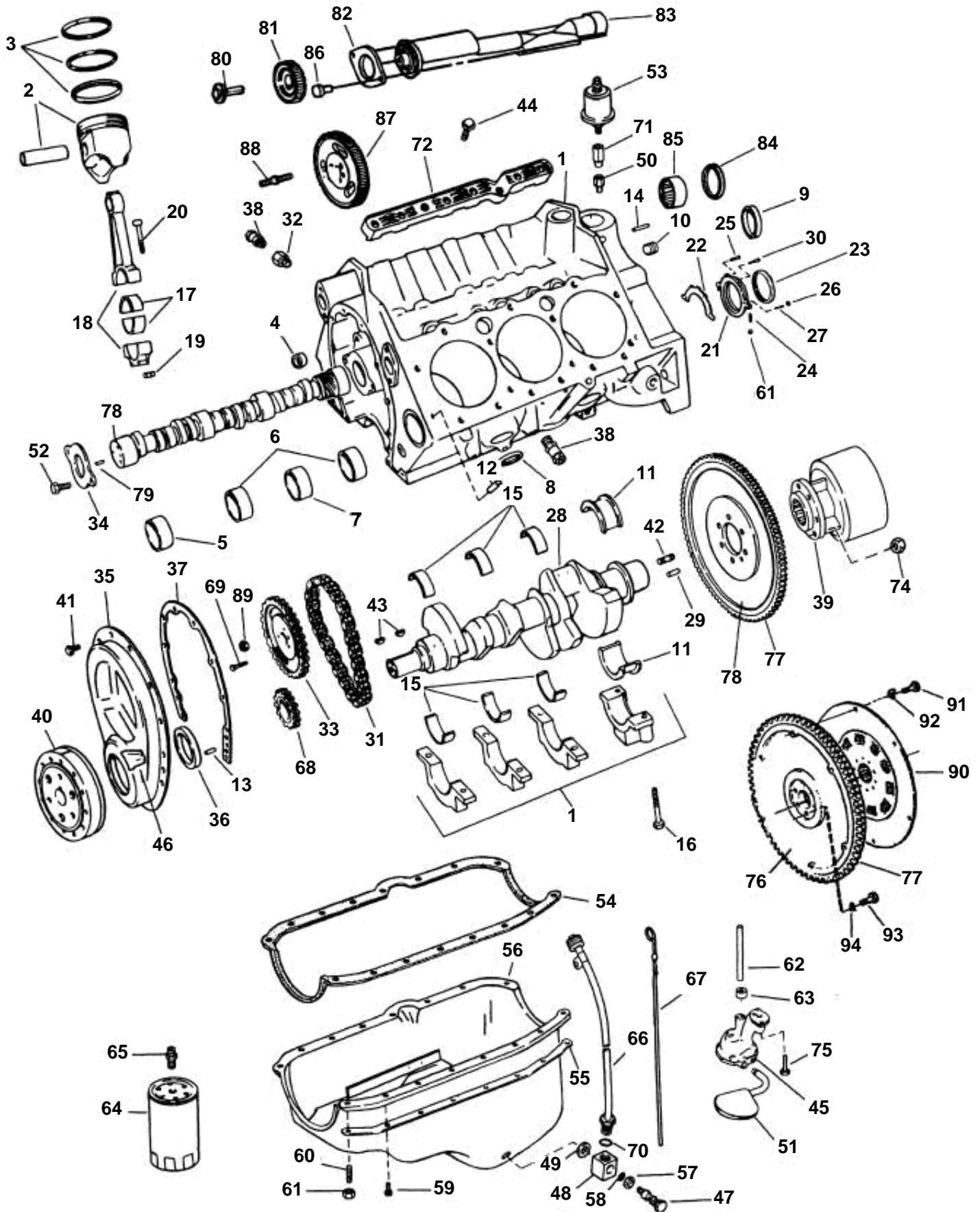


CRANKCASE & OIL PAN



CRANKCASE & OIL PAN

REF	PART NO.	QTY	DESCRIPTION	SEE SEC.	NOTES
1	3850708	1	Longblock		
			Bulletin P-21-0-16	P-21-0-16-EN	Longblock Guidelines, 4.3GL/GS/GI
2	3850384	6	Piston, Standard		
	3850383	6	Piston, 0.001 in. O.S		
	3850382	6	Piston, 0.030 in. O.S		
3	3854957	6	Piston ring kit, Standard		
	3854958	6	Piston ring kit, 0.030 in. O.S		
4	3853208	1	Cap plug, Oil gallery, starboard		
	3853208	1	Cap plug, Oil gallery, port		
5	3853210	1	Camshaft bearing, Camshaft, #1		
6	3853211	2	Camshaft bearing, Camshaft, #2, #4		
7	3853212	1	Camshaft bearing, Camshaft, #3		
8	3852100	8	Core plug, Water jacket		
9	3853209	1	Core plug, Camshaft brg., rear		
10	3852471	5	Plug, Oil gallery		
11	3853221	1	Thrust bearing, Standard		
	3853222	1	Thrust bearing, 0.001 in. U.S		
	3853223	1	Thrust bearing, 0.002 in. U.S		
	3853224	1	Thrust bearing, 0.010 in. U.S		
	3853225	1	Thrust bearing, 0.020 in. U.S		
12	3853114	8	Locating pin, Cylinder head		
13	3853213	4	Pin, Front cover & brg. cap		
14	3853113	2	Locating pin, Trans line-up		
15	3853215	3	Main bearing, #1, 2, 3, standard		
	3853381	3	Main bearing, #1, 2, 3, 0.001 in. U.S		
	3853382	3	Main bearing, #1, 2, 3, 0.002 in. U.S		
	3853218	3	Main bearing, #1, 2, 3, 0.010 in. U.S		
	3853220	3	Main bearing, #1, 2, 3, 0.020 in. U.S		
16	3853214	8	Screw, Crankshaft, brg. Cap		
17	3854955	6	Rod bearing, Rod, standard		
			Bulletin P-21-6-2	P-21-6-2-EN	Rod Bearings, 4.3L
18	3854173	6	Connecting rod		
19	3853413	12	· Nut, Rod bolt		
20	3853179	12	· Screw, Connecting rod		
21	3853201	1	Housing, Crankshaft seal		
22	3852656	1	· Gasket, Seal retainer		
23	3852657	1	· Seal, Crankshaft, rear		
24	3853202	2	· Stud, Oil pan, rear		
25	3853204	1	Screw, Seal retainer		
26	3853206	1	Nut, Rear seal retainer		
27	3853205	1	Stud, Rear seal retainer		
28	3853180	1	Crankshaft		
29	3853200	1	· Pin, Flywheel		
30	3853203	2	Screw, Seal retainer		
31	3852685	1	Chain, Camshaft		
32	3852489	1	Adapter, Water drain, stbd		
33	3854319	1	Sprocket, Camshaft		
34	3854329	1	Retainer, Camshaft		
35	3854327	1	Timing gear casing, C'case front end		
36	3853341	1	Seal, Front cover		
37	3854324	1	Gasket, Front cover		
38	3854494	2	Drain cock, Water drain		
39	3853917	1	Rubber coupling		
40	3854326	1	Vibration damper		
41	3852441	10	Screw		
42	3853274	6	Stud, Flywheel & coupler toc 'shaft		
43	3853648	2	Key, Crankshaft		
44	3850376	4	Screw, Valve lifter guide		
45	3854950	1	Oil pump		
46	3853195	1	Turn signal, Timing		
47	3852694	1	Hollow screw, Oil pan drain		
48	3855112	1	Fitting, Oil pan drain		
49	3853469	1	Sealing washer, Fitting to oil pan		
50	3852968	1	Fitting, Oil sender		

CRANKCASE & OIL PAN

REF	PART NO.	QTY	DESCRIPTION	SEE SEC.	NOTES
51	3854951	1	Oil pump screen		
52	3854323	2	Screw, Camshaft retainer		
53	3853800	1	Oil pressure sensor, Oil pressure		
	872064	1	Sender, Oil psi, Dual station		
54	3852655	1	Gasket, Oil pan		
55	3853178	1	Reinforcement, Starboard		
	3853177	1	Reinforcement, Port		
56	3853841	1	Oil pan		
57	3852007	1	Washer, Retainer to fitting		
58	3853674	1	O-ring, Retainer		
59	3852595	12	Screw, Oil pan		
60	3853202	2	Stud, Oil pan, front		
61	3853168	4	Nut, Oil pan		
62	3853198	1	Shaft, Distributor to oil pump		
63	3853199	1	Retainer, Distributor to oil pump		
64	841750	1	Oil filter		
			Bulletin P-21-7-1	P-21-7-1-EN	Oil Filters, GM gas engines
65	3853174	1	Fitting, Oil filter		
66	3854179	1	Tube, Oil drain		
67	3850473	1	Oil dipstick, Oil level		
68	3852690	1	Sprocket, Crankshaft		
69	3854330	3	Screw, Camshaft sprocket		
70	3852033	1	O-ring, Oil drain tube		
71	3852503	1	Elbow, Oil pressure switch		
72	3850377	6	Guide, Lifter		
73	3850387	1	Retainer, Valve lifter		
74	3853273	6	Lock nut, Flywheel & coupler -SX		
75	3853234	2	Screw, Pump to block		
76	3854325	1	Flywheel		
77	3853207	1	Gear ring, Flywheel		
78	3854328	1	Camshaft		
79	3853213	1	Pin, Camshaft gear		
80	3854320	2	Screw, Balancer gear		
81	3854318	1	Drive gear, Balancer shaft		
82	3854317	1	Retainer, Balancer shaft		
83	3854316	1	Shaft		
84	3853209	1	Core plug, Balancer shaft		
85	3854315	1	Bearing bushing, Balancer shaft		
86	3853172	2	Screw, Balancer retainer		
87	3854314	1	Drive gear, Drive		
88	3854313	2	Stud, Camshaft sprocket		
89	3853168	2	Nut, Camshaft sprocket stud		
90	855656	1	Vibration damper, Flywheel - DP		
91	835482	3	Screw, Damper - DP		
92	942336	3	Spring washer, DP		
93	835439	6	Screw, Flywheel - DP		
94	941909	6	Spring washer, DP		